

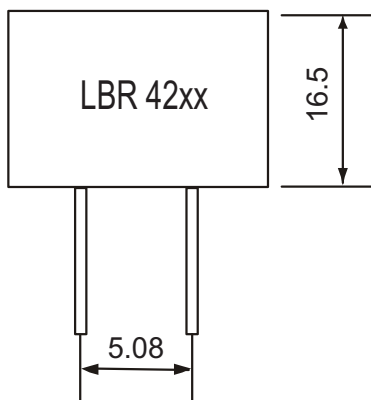
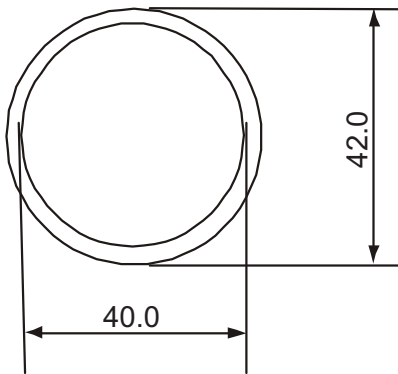
DESCRIPTION

- Ø42.0mm Round LED Light Bar Series
- Standard Brightness
- Low Current Operation
- Excellent Character Appearance
- Easy Mounting on PC Boards or Sockets

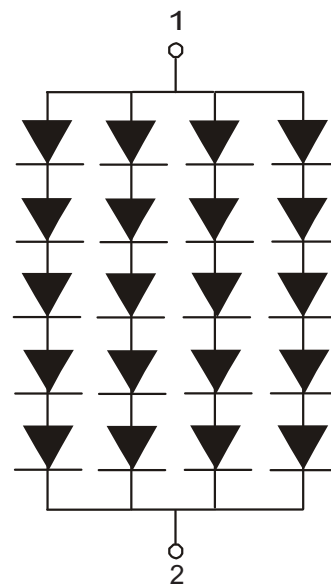


Package Dimensions & Internal Circuit Diagram

LBR42 Series



LBR 42 Ax



Notes:

All dimensions are in millimeters (inches)
Tolerance is ±0.25 (0.01") unless otherwise noted.
Specifications are subject to change without prior notice.

Absolute Maximum Ratings (Ta = 25°C)

Parameter	Symbol	Test Condition	Value		Unit
			Min	Max	
Reverse Voltage	V _R	IR= 30μA	5	-----	V
Forward Current	I _f	-----	-----	80	mA
Power Dissipation	P _d	-----	-----	100	mW
Pulse Current	I _{peak}	Duty = 0.1ms, 1KHz	-----	600	mA
Operating Temperature	Topr	-----	- 40	+85	°C
Storage Temperature	Tstr	-----	- 40	+85	°C

XX :Surface / Epoxy Color :

Surface Color Number	White 0	Black 1	Gray 2	Red 3	4	5
Epoxy Color Number	White Diffused 0	Red Diffused 1	Green Diffused 2	Yellow Diffused 3	Blue Diffused 4	Water Clear 5